

BAXI

Solo HE 



SEDBUK
Band A





The Baxi Solo HE - just heat, just perfect.



We can't touch it. Or see it. But since time began, warmth has been an essential part of our existence. Those wonderful feelings of comfort, relaxation and security are something we at Baxi know all about. We've been warming homes for over a century and a half. And behind every heating system we produce is our passion for technology and our commitment to the environment, ensuring your home, and our future, is bright, warm and welcoming.

Our vast experience, and technological expertise enables us to create such highly advanced

boilers as the Baxi Solo HE - energy efficient, it can reduce your heating bills from day one. More importantly, it reduces the effects on the environment.

In fact, with 90% fuel conversion, the Baxi Solo HE achieves the highest SEDBUK Band 'A' rating.

The outside's pretty impressive too. Clean, contemporary styling and a soft, curvaceous profile mean it blends effortlessly with any modern interior. While its simple, intuitive controls make it easy to use.



Compact in size, the Baxi Solo HE is the natural choice where space is limited. But with such a wide range, including 12kW, 15kW, 18kW, 24kW and 30kW options, it's ideal for any size of home.

In short, the Baxi Solo HE is the perfect combination of efficiency, style and simplicity.

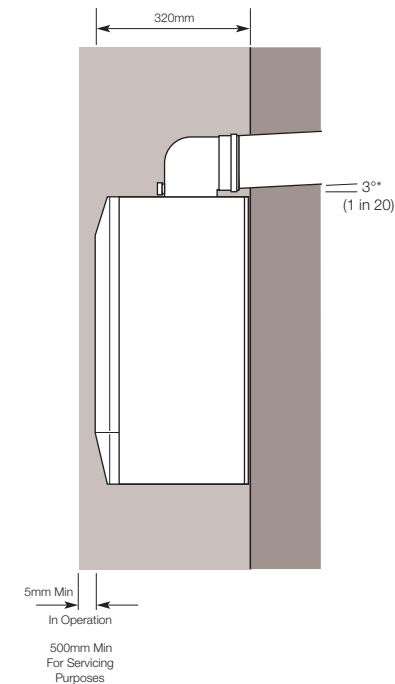
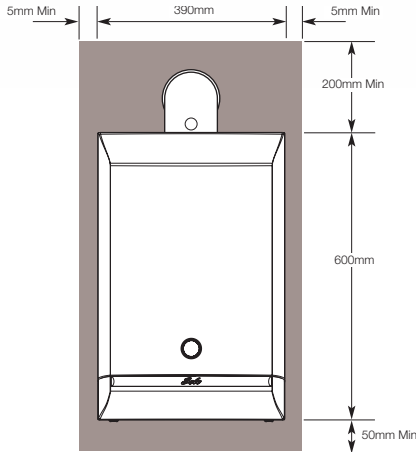
Note - Legislation: To meet Building Regulations, your heating system may need additional controls. After fitting, you should get a Building Regulations compliance certificate from CORGI to show the work is to the right standard. Keep this, as you may need it when you come to sell your house.

Key features & benefits:

- SEDBUK Band 'A' Rated
- 2-year parts and labour warranty*
- Attractive, clean, contemporary design
- Compact size allows installations where space is limited
- Simple rotary and push button controls for easy boiler operation

*Subject to registration and an annual service.

Dimensions and clearances



| Baxi Solo HE Series: Wall mounted high efficiency boilers | | | | | | |
|---|----------|-------------|-------|-------|-------|-------|
| | | 12 kW | 15 kW | 18 kW | 24 kW | 30 kW |
| CONTROLS | | | | | | |
| Concealed User Controls | | Yes | Yes | Yes | Yes | Yes |
| User Adjustable Output Temperature | | Yes | Yes | Yes | Yes | Yes |
| LED Status / Fault Diagnosis Display | | Yes | Yes | Yes | Yes | Yes |
| GAS | | | | | | |
| Heat Output Non Condensing (70°C Mean) | kW (Max) | 11.8 | 15.2 | 17.8 | 22.0 | 30.2 |
| Heat Output Condensing (70°C Mean) | kW (Max) | 12.8 | 16.5 | 19.3 | 23.8 | 32.6 |
| SEDBUK Rating | Band | A | A | A | A | A |
| NO _x Class | | 5 | 5 | 5 | 5 | 5 |
| ELECTRICAL | | | | | | |
| Power Consumption | watts | 80 | 80 | 80 | 80 | 80 |
| MECHANICAL & HYDRAULIC | | | | | | |
| Compartment Ventilation Required | | None | None | None | None | None |
| Vertical Pipe Route | | Within Case | | | | |

* The 3 degree fall back on concentric flues can be reduced to 1.5 degrees providing the flue system is adequately clamped in accordance with the installation instructions.

To arrange an engineer visit for a product breakdown or an annual service

0870 060 3060

Open Monday – Friday, 8am – 6pm

Weekends and Bank Holidays, 8.30am – 2pm

We are closed on Christmas Day and New Years Day

To request product literature

0870 606 0623

Open Monday – Friday, 8am – 5pm



Baxi Heating UK Ltd.
Brooks House, Coventry Road,
Warwick CV34 4LL

www.baxi.co.uk



FM35908
BSEN ISO 9001
QUALITY MANAGEMENT
SYSTEMS STANDARD



Baxi policy is one of continual improvement and development. The right to change specification and appearance without prior notice is reserved. The reproduction of colours is as accurate as photographic and printing processes allow. The consumer's statutory rights are not affected.